



# AdaptaBeacon® Explosionproof Strobes

## Marine Rated Models

## 116EXMST\*-N5 Series

### FEATURES

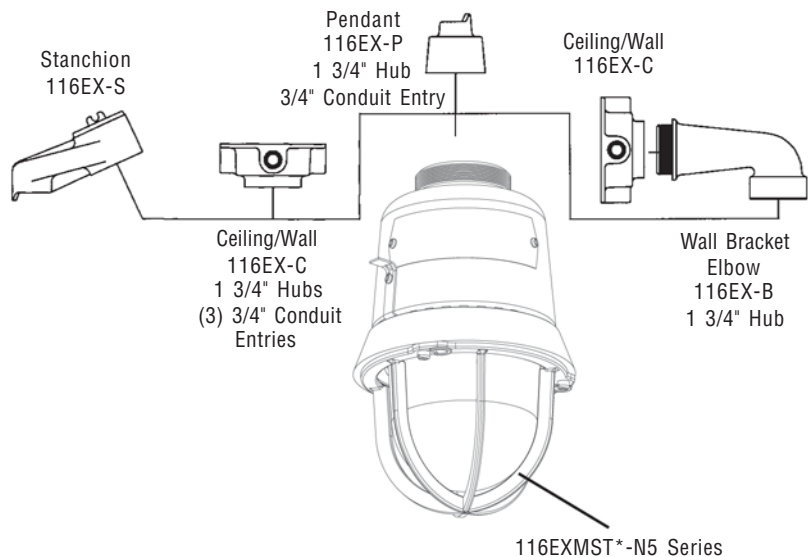
- > Bracket, ceiling, pendant or stanchion mount
- > High impact glass dome, dome guard included
- > 65 flashes per minute
- > Factory sealed - no external seals required
- > Quick connect - threads onto mounting module for easy installation
- > Shock absorbing receptacle
- > Easy to assemble & relamp
- > Gaskets seal out dirt & moisture
- > Epoxy powder coat for corrosion resistance

Edwards Explosionproof AdaptaBeacon Strobe Lights are designed for installation in hazardous location environments. Rigid specifications and state-of-the-art technology provide for high visual output and low maintenance.

The units are UL Listed for Type 3R and Type 4X installations. The 120V AC model is Marine Rated. Models are available for pendant, wall, ceiling and stanchion mounting.

Typical industrial and commercial applications include: food processing plants, refineries, mines, tankers, laboratories, sewage treatment plants, off shore oil rigs, water and filtration plants, and chemical plants.

### FAMILY TREE

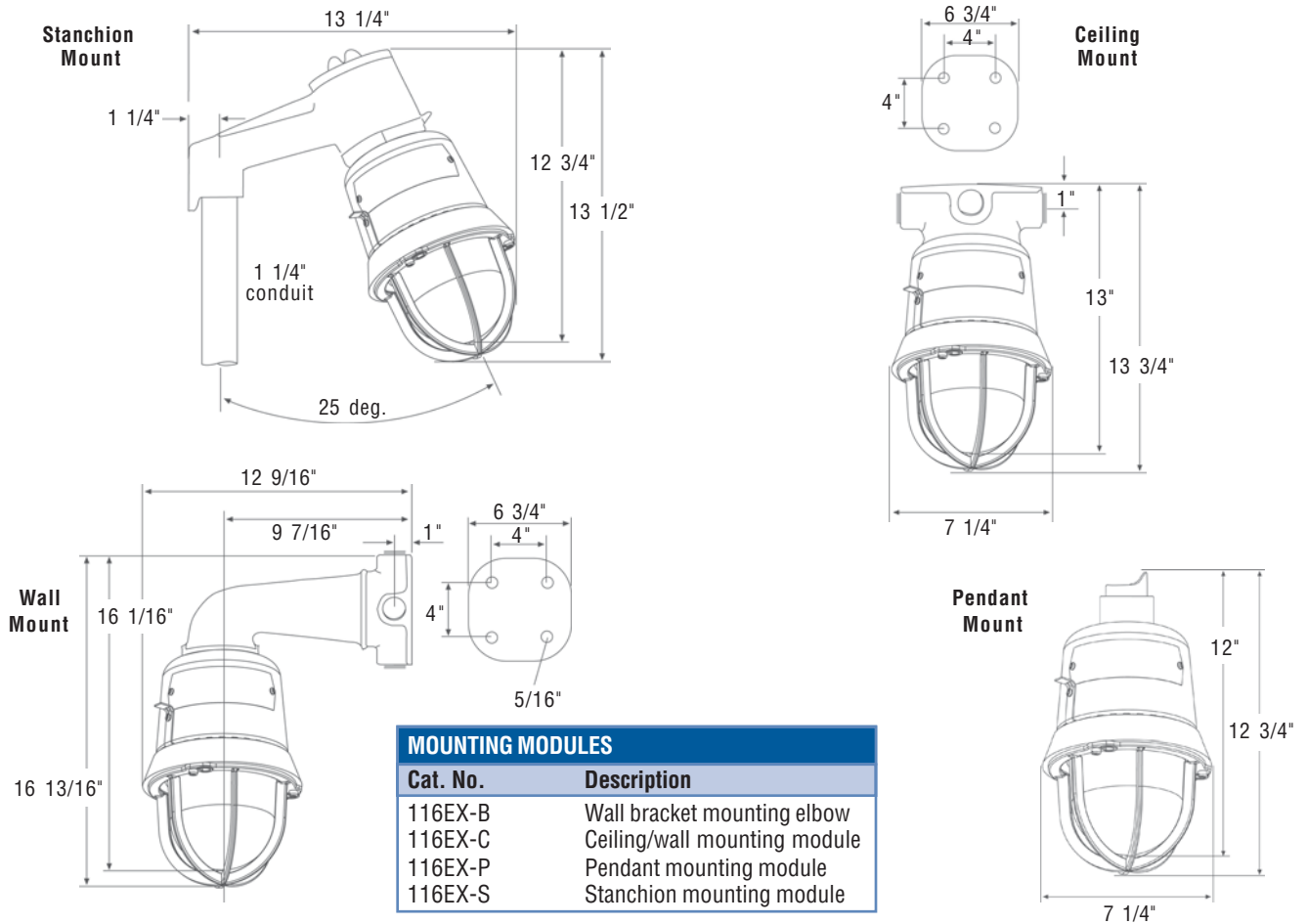


### AGENCY APPROVALS

- > UL 1638 and 1203 Listed
- > cUL Listed C22.2 No. 205
- > NEMA Type 3R & Type 4X Rated
- > Marine UL Listed Category UXUB
- > Marine UL 1598A Listed
- > UL Listed Class I, Div. 1 & 2



## TECHNICAL INFORMATION



Cat. No.	Electrical Rating	Replacement Circuit	Replacement Dome	Replacement Inner Lens	Optional Dome Guard	Replacement Strobe Tube	Peak Candlepower
116EXMSTA-N5	120V 50/60 Hz	116EXMST-N5-SA	116-Globe	116-ST-LA*	116-GRD	92-ST	800,000
116EXMSTB-N5	0.1A			116-ST-LB*		3,000 hr.**	
116EXMSTG-N5				116-ST-LG*			
116EXMSTR-N5				116-ST-LR*			
116EXMSTM-N5				116-ST-LM*			
116EXMSTC-N5							

\*Letter in this position denotes color of the globe: A - amber, B - blue, G - green, R - red or M - magenta.

\*\* Calculated at operating power to 75% efficiency.

## HAZARDOUS LOCATION LISTINGS

Ambient Temp.	Supply Wire Temp. Marking	Operating Temperature			
		Class I, Div. 2 Groups A, B	Class I, Div. 1 & 2 Groups C, D	Class II & III, Div. 1 Groups E, F, G	Class II & III, Div. 2 Group G
40°C	75°C	T4 (135°C)	T6 (85°C)	T4A (120°C)	T4A (120°C)
55°C	90°C	T3C (160°C)	T6 (85°C)	T4 (135°C)	T4 (135°C)
65°C	105°C	T3C (160°C)	T6 (85°C)	T4 (135°C)	T4 (135°C)